

Access Report - Slidelock - Rev A Metlam Slidelock Mechanism Product Review (12003)



Contents

Metlam Slidelock Mechanism Product Review	3
Prepared For	3
ACAA Accredited Member	3
Revision History	3
Product Summary:	3
Documentation Reviewed	3
Purpose of Report	4
Legislative Requirements	4
Product Assessment	4
Attachments	5

Metlam Slidelock Mechanism Product Review

Project Number

12003

Date

2/12/2020

Prepared For

Metlam Australia
 Head Office
 17 Parkers Rd
 New Gisborne Vic 3438

ACAA Accredited Member

Cathryn Grant
 Senior Access Consultant
 Architecture & Access (Aust) Pty Ltd
 Tel: 1300 715 866
 Email: cgrant@archaccess.com.au
 ACAA Accredited Member #250
 Association of Consultants in Access Australia

Revision History

Doc #	Rev #	Title	Author	QA Reviewer	Date
01	-	Metlam Slidelock Mechanism Product Review	S.McCarthy	C.Grant	02.12.2020
01	A	Metlam Slidelock Mechanism Product Review	S.McCarthy	C.Grant	02.12.2020

Product Summary:

Architecture & Access has been commissioned to provide access consulting services for the Metlam Moda Lock and Indicator Set - Slidelock Mechanism Product Review.

Documentation Reviewed

The report is based on the following drawings.

Drawing No.	Title	Rev
-	Moda Slide Lock Drawing jpeg	-
-	Moda_Lock_SPC Moda Lock and Indicator Set jpeg	-
-	Moda Lockand Indicator set jpeg (Drawing with dimensions)	-
-	Modahinge Moda Spring Hinge - Concealed Fix Specifications Sheet	-

Purpose of Report

As requested Architecture & Access have reviewed the design drawings, photos and technical advice provided in relation to the proposed *Moda Lock and Indicator Set* regarding access for people with disabilities.

This assessment consists of a review of the product, as described and installed as per the documentation listed above. This review does not include the environment in which the product may be installed.

Legislative Requirements

Australian Codes, Standards and Guidelines

- National Construction Code 2019 Volume One - Building Code of Australia (NCC/BCA)
- Disability (Access to Premises - Buildings) Standard. (DAPS) 2010
- AS 1428.1:2009 Design for access and mobility - General Requirements for Access - New Building Work
- AS 1428.1:2001 Design for access and mobility - General Requirements for Access - New Building Work
- AS 1428.2 1992 Design for access and mobility - Enhanced and additional requirements - Buildings and facilities (1992)

International Standards/Legislation

- Building for Everyone: A Universal Design Approach, Centre for Excellence in Universal Design, National Disability Authority, Dublin.
- ADA Accessibility Guidelines, United States Access Board, USA (2002).
- British Standard BS8300-1:2018
- ISO 21542:2011(E) - Building construction - Accessibility and usability of the built environment. Clause 36.10, 36.1 and 36.2.

Product Assessment

Product Description:

- The *Metlam Moda Slide Lock and Indicator Set* is a sliding bolt style door locking device which is suitable for toilet cubicle doors and other doors where a slide bolt lock is required, such as change rooms and the like. The slide lock mechanism is to be used for cubicles that are suitable for a person with an ambulant disability and is not proposed for accessible sanitary facilities.
- The set includes three pieces. The sliding bolt mechanism which is approximately 71mm wide x 58mm high has a left to right slide lock action which moves the flat locking bolt under the latch which is fixed to the cubicle frame. On the outside of the door is the Indicator plate which is activated by the sliding of the lock and changes the indicator from red to green which informs the user if the cubicle is in use or not.
- The design of the mechanism allows for operation with one hand. In addition, a person who has dexterity issues can operate the latch with the side of a hand or fingers and does not require fingers to clasp or turn the latch. This aspect can be compared to the door handle on a sliding

door which can be operated using one hand with a force less than 20N. This is appropriate for a person who cannot grip, as per the requirements of AS 1428.1, 2009 Clause 13.5.2 for door controls.

- The bolt slides into the latch which is open to the top which allows the door to be lifted and removed in an emergency. The hinges are specifically designed so that the door can be lifted and removed to provide assistance to a person within the cubicle.
- The sliding latch has raised, tactile arrows to assist people who are vision impaired.

AS1428.1, 2009 Requirements

- *Clause 16.3. Sanitary compartments for people with ambulant disabilities requires the following:*
 - Doors to be provided with an in-use indicator and a bolt or catch.
 - In an emergency the latch mechanism shall be openable from the outside.

Discussion

- As the sliding lock can be operated by one hand without the need to grip the lock, it can be used by a wider range of people with hand or dexterity impairments.
- The raised and tactile arrows on the lock indicate the required motion to operate the lock, for all users as well as those who are vision impaired and children.
- The door can be removed in the event of an emergency, with specifically designed spring assisted hinges, by lifting the door up and off the hinges which is a more efficient way of accessing the cubicle when the users has collapsed against the door.

Conclusion:

Architecture & Access assess that the **Metlam Moda Slide Lock and Indicator Set** meets the design specifications provided in the relevant Australian Standard AS1428.1: 2009 regarding access for people with disabilities. Although AS1428.1: 2009 notes that the latch should be openable from the outside, we believe that the provision of specially designed Moda Spring Hinges which allow the door to be lifted off, provides a superior way to access and assist a person within the cubicle.

Overall this unit will provide an accessible sliding lock for Ambulant Cubicles that will meet the needs of people with disabilities and has been designed in line with the spirit and intent of the *Disability Discrimination Act 1992 (cth)*. Architecture & Access believe that the **Metlam Moda Slide Lock and Indicator Set** meets the Deemed-to-Satisfy requirements of AS 1428.1:2009.

Should you required any further information please do not hesitate to contact us to discuss this further.

Yours sincerely,

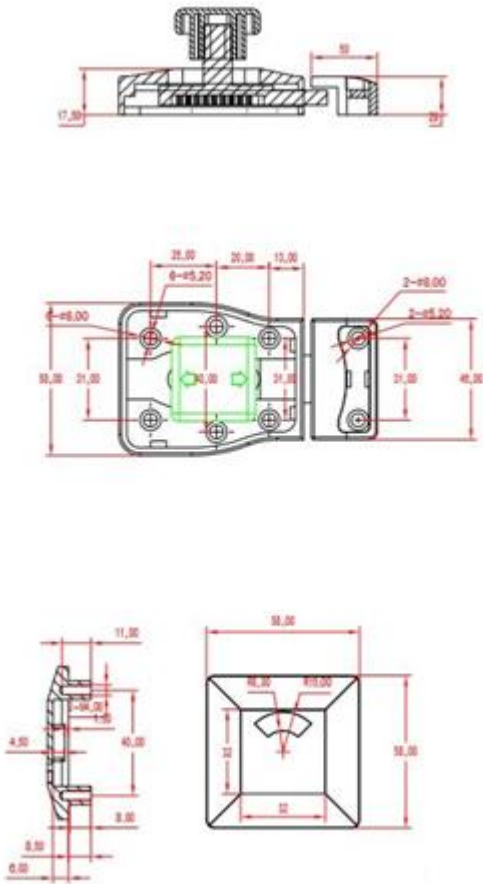


Cathryn Grant, Accredited Member ACAA

Attachments

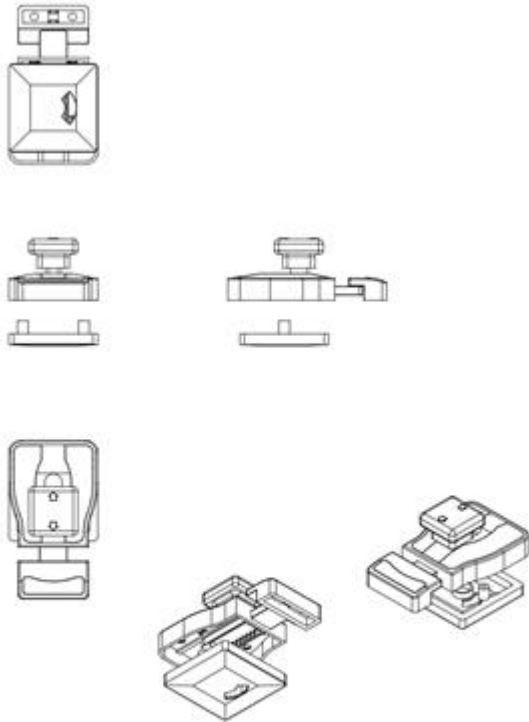
New Attachments

Description



Moda Lock and Indicator set.JPG

Metlam Slidelock Mechanism Product Review (12003)
Access Report - Slidelock - Rev A



MODA Slide Lock Drawing.jpg



MODA_LOCK_SCP Moda Lock and Indicator
Set.jpg

MODAHINGE - Moda Spring Hinge - Concealed
Fix.pdf

(See Email Attachments)